

CALL BLOCK METAKOM MK1



**MODELS: MK1-XR-E, MK1-XRV-E
MK1-XR-E-TM, MK1-XRV-E-TM
MK1-XR-E-RF, MK1-XRV-E-RF
MK1-XR-E-MF, MK1-XRV-E-MF**

PASSPORT

INSTALLATION AND OPERATING INSTRUCTIONS
www.metakom.ru

www.metakom.ru

1. PURPOSE

Valid for filling

To be completed by the repair company

Contents of the repair. Name and number according to the scheme of the replaced part or unit. The place and nature of the defect:

Signature of the person who carried out repairs _____

Date of repair _____

(day, month, year)

Signature of the owner of the product, confirming the repair

Repair company stamp with the city:

The one-subscriber call block METAKOM MK1-XR (V) -N (hereinafter call block) is intended for installation in the entrances of apartment houses, at the entrance doors of apartments, offices, etc.

Together with the subscriber devices manufactured by METACOM (video monitors MKV-VM5, MKV-VM6, TKP-14X tube, etc.) and others, the call unit provides a subscriber's audio connection with the visitor, remote opening of the lock, video surveillance of the space in front of the entrance door (option with built-in video camera). The presence of infrared illumination allows to obtain an image on a video monitor (at a distance to the observed object not more than 1 m), even in the total absence of illumination. There is a separate adjustment of microphone sensitivity and speaker volume. Models with TM, RF and MF indices have an integrated electronic key controller, a contact reader for electronic keys, for the TM model or a contactless key reader for the RF, MF model. For the modification of MF, contactless METAKOM key fobs supporting Mifare technology are used. MF-keys have a special identification number coding system. Built-in MF reader supports work with factory-encoded key fobs.

The call unit has a vandal-proof design and can be installed both outside and inside the room.

2. SPECIFICATIONS

DC supply voltage, V		12 ... 14
Consumption current, A (max.)	Without video camera	0,08
	With video camera	0,18
	With built-in RF reader, MF	0,23
Built-in video camera (for MK1-XRV)		Pinhole, 420 tvl F = 3,7, F = 2
Connection		4-wire scheme "Commax"
Lock control (normally open relay contacts)		5A/30VDC max
Key memory capacity (for TM, RF, MF)		15
Supported TM key protocols		TM 2003, DS1990A
Operating frequency of RF proximity switches		125 kHz
Operating frequency of proximity switches MF		13,6 MHz
Permissible operating temperature range		-30...+40°C
Permissible humidity at + 35 ° C		95%
Overall dimensions of the calling panel, mm		125 x 90 x 25
Weight without fasteners, kg (max.)	Call block MK1	0,30
	Frame (MK1-XR (V) -E2)	0,15

3. WIRING DIAGRAM

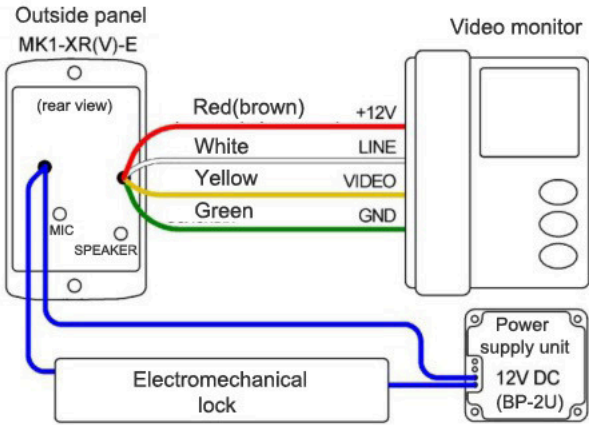


Fig 1. Connecting the call block MK1-XR(V)-E

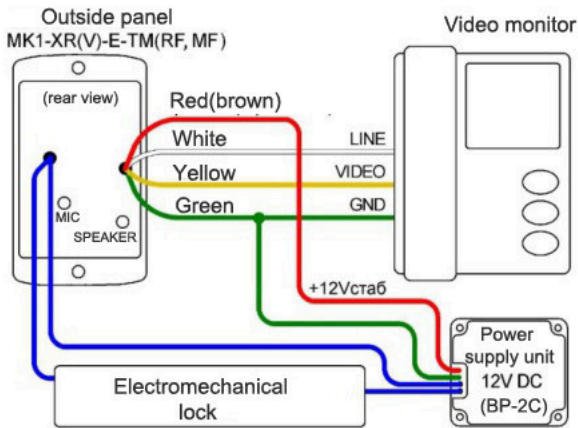


Fig. 2. Connecting the call block MK1-XRV-E-TM (RF, MF)

Cut-off line Counterfoil coupon N1 for warranty repair of the METACOM call block MK-1

Valid for filling

TEAR-OFF COUPON N1

FOR THE WARRANTY REPAIR OF THE CALL BLOCK METAKOM MK-1

To be completed by the manufacturer

Serial number of the product _____

Release date _____

(day, month, year)

Representative of the QC of the manufacturer

(QC stamp)

Address for return of the coupon to the manufacturer:

Russia, 241024, Bryansk city, Delegate street, 68, LTD "Metakom"

To be completed by a trade or installation organization

Date of sale _____

(day, month, year)

Seller _____

(signature or stamp)

Stamp of the trade organization:

Date of commissioning _____

(day, month, year)

Installer _____

(signature or stamp)

The stamp of the organization that conducted the installation:

4. USING THE CALL BLOCK

Valid for filling

To be completed by the repair company

Contents of the repair. Name and number according to the scheme of the replaced part or unit. The place and nature of the defect:

Signature of the person who carried out repairs _____

Date of repair _____

(day, month, year)

Signature of the owner of the product, confirming the repair

Repair company stamp with the city:

To call the subscriber, press the call button. A beep will sound. The duration of the call signal is set by the monitor used (or the handset). When the handset is removed from the video monitor, the call unit goes into talk mode. To open the lock, you must press the lock release button on the video monitor or the handset. If the volume of the call is insufficient, adjust the required parameters (microphone sensitivity and speaker volume) with trimmer resistors on the back side of the call block panel.

To record electronic keys (for models TM and RF, MF), it is necessary to disconnect the audio line from the video monitor. Connect the audio line to +12V (+ power supply). There will be 3 beeps. Wait for the next beep, quickly turn off the audio line from +12V. It will enter the key recording mode. Bring the key to the contact device, the key will be recorded, and one beep will sound. If the key is not working or has already been recorded, a sound signal is not output. If there is an overflow, then 2 beeps will sound and exit into standby mode. To exit the key recording mode, it is necessary to short-circuit the audio line to +12V. When you exit the recording mode, one beep will sound. If the keys are not written after 1 minute, an automatic exit will be made.

To erase all recorded keys, after connecting to the recording mode, you need to connect the audio line to +12V, wait for 3 beeps and open the audio line and +12V. The keys will be erased and put into standby mode.

5. MANUFACTURER'S GUARANTEES

The manufacturer guarantees compliance of the METACOM call block MK1-XR (V)-E-TM (RF, MF) to the requirements of MTKM.420570.002 TU when the user applies the rules of use, storage and transportation.

Guarantee period of operation of the call block is 12 months from the date of sale, but not more than 18 months from the date of manufacture.

Service life is 5 years from the date of manufacture.

Without presentation of a voucher for warranty repair and (or) failure to secure the seals, mechanical, electrical or other types of damage caused by improper transportation, storage or use, claims for quality are not accepted and no warranty repair is performed.

The address of the manufacturer:

Russia, 241024, Bryansk city, Delegate street, 68, LTD "Metakom"
tel./fax: (4832) 68-28-26 <http://www.metakom.ru>
tel. (4832) 68-37-95 E-mail: os@metakom.ru

6. MARKING AND DELIVERY

Example of marking the call block MK1:
MK1-XRV-E1-TM

where MK1 - model name
X - four-wire interface "Commax"
R- to control the lock using a relay
V- presence of the built in videocamera
E- installation option (E = infeed panel)
- complex set (1 or 2) – See Table below.
TM-reader of contact electronic keys

Call block has 2 options for configuration:

Name of the component	Complex set option	
	1 (without frame)	2 (with frame)
Call block	1	1
Frame	-	1
Screw M5x25	2	2
M5 nut	2	2
Passport	1	1
Packing box	1	1

The variant of configuration "2" differs by the presence in the delivery set of a special metal frame, by means of which the calling panel can be mounted as a waybill.



Cut-off line Counterfoil coupon N1 for warranty repair of the METACOM call block MK-1

Valid for filling

TEAR-OFF COUPON N1

FOR THE WARRANTY REPAIR OF THE CALL BLOCK
METAKOM MK-1
To be completed by the manufacturer

Serial number of the product _____

Release date _____

(day, month, year)

Representative of the QC of the manufacturer

(QC stamp)

Address for return of the coupon to the manufacturer:
Russia, 241024, Bryansk city, Delegate street, 68, LTD "Metakom"

To be completed by a trade or installation organization

Date of sale _____

(day, month, year)

Seller _____

(signature or stamp)

Stamp of the trade organization:

Date of commissioning _____

(day, month, year)

Installer _____

(signature or stamp)

The stamp of the organization that conducted the installation

The stamp of the organization that conducted the installation