

OUTDOOR PANEL METAKOM MK1



MODELS: MK1-XR-E, MK1-XRV-E
MK1-XR-E-TM, MK1-XRV-E-TM MK1-XR-E-RF,
MK1-XRV-E-RF MK1-XR-E-MF, MK1-XRV-E-MF

PASSPORT

INSTALLATION AND OPERATING INSTRUCTION

www.metakom.ru

1. PURPOSE

Valid for filling

To be completed by the repair company

Contents of the repair. Name and number according to the scheme of the replaced part or unit. The place and nature of the defect::

Signature of the person who carried out repairs _____

Date of repair _____

(day, month, year)

Signature of the owner of the product, confirming the repair
Repair company stamp with the city:

The one-subscriber outdoor panel METAKOM MK1-HK (Y) -E-TM (IR, MR) (hereinafter - outdoor panel) is intended for installation in the entrances of apartment houses, at the entrance doors of apartments, offices, etc.

Together with the subscriber devices manufactured by METACOM (video monitors MKV-VM1, MKV-VM3, MKV-VM5, MKV-VM6, TKP-14X handset) and others, the call unit provides subscriber's audio communication with the visitor, remote lock opening, video surveillance of the space in front of the entrance door (option with built-in video camera). The presence of infrared illumination allows you to obtain an image on a video monitor (at a distance to the observed object not more than 1 m), even in the total absence of illumination. There is a separate adjustment of microphone sensitivity and speaker volume. Models with indexes TM, IR and MR have built-in electronic key controller, electronic key reader, for TM model or contactless key reader, for model IR, MR. For the modification of the MR, contactless METAKOM key fobs supporting the Mifare technology are used. MP keys have a special identification number coding system. **Built-in MP Reader supports work with factory-encoded key fobs.**

The outdoor panel has a vandal-proof design and can be installed both outside and inside the room.

2. SPECIFICATIONS

DC supply voltage, V		12 ...14
Consumption current, A (max.)	Without video camera	0,08
	With video camera	0,18
	With built-in IR and MR reader	0,23
Built-in video camera (for MK1-XRV)		Pinhole, 420 tvl F = 3.7, F = 2
Connections		4-wire scheme "Commax"
Lock control (normally open relay contacts)		5A/30VDC max
Key memory capacity (for TM, IR, MP)		15
Supported TM key protocols		TM2003, DS1990A
Operating frequency of the contactless IR keys		125 kHz
Operating frequency of proximity switches MR		13.6 MHz
Permissible operating temperature range		-30...+40°C
Permissible humidity at + 35 °C		95%
Overall dimensions of the calling panel, mm		125 x 90 x 25
Weight without fasteners, kg (max.)	Outdoor panel MK1	0,30
	Frame (MK1-CHI (Y) -E2)	0,15

3. WIRING
DIAGRAM

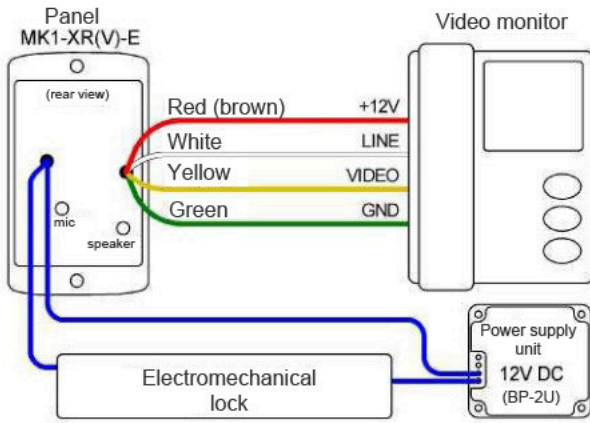


Figure 1. The connect outdoor panel MK1-XRV-E

Serial number of the product _____
 Release date _____
(day, month, year)
 Representative of the QC of the manufacturer

(QC stamp)

Valid for filling

TEAR-OFF COUPON N1
FOR THE WARRANTY REPAIR OF THE CALL
BLOCK METAKOM MK-1
To be completed by the manufacturer

Address for return of the coupon to the
 manufacturer:
 Russia, 241024, Bryansk city, Delegate
 street, 68, LTD "Metakom"

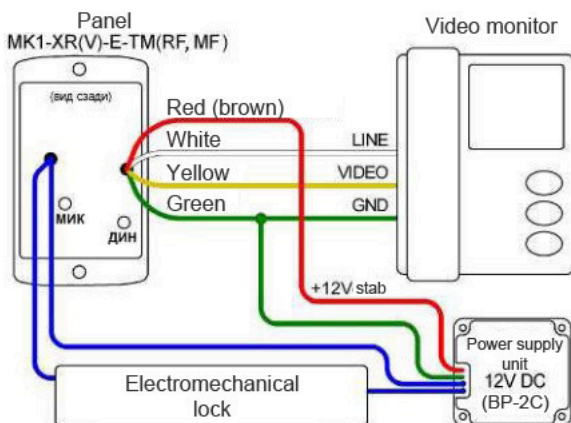


Figure 2. The connect outdoor panel MK1-XRV-E-TM(RF, MF)

To be completed by a trade or installation organization
 Date of sale _____
(day, month, year)
 Seller _____
(signature or stamp)
 Stamp of the trade organization:
 Date of commissioning _____
(day, month, year)
 Installer _____
(signature or stamp)
 The stamp of the organization that conducted the
 installation:

Valid for filling

To be completed by the repair company

Contents of the repair. Name and number according to the scheme of the replaced part or unit. The place and nature of the defect:

Signature of the person who carried out repairs

Date of repair (day, month, year)

Signature of the owner of the product, confirming the repair _

Repair company stamp with the city:

4. USING THE OUTDOOR PANEL

To call the subscriber, press the call button. A beep will sound. The duration of the call signal is set by the monitor used (or the handset). When the handset is removed from the video monitor, the outdoor panel goes into talk mode. To open the lock, you must press the lock release button on the video monitor or the handset. If the volume of the call is insufficient, adjust the required parameters (microphone sensitivity and speaker volume) by trimmer resistors on the back side of outdoor panel.

To record electronic keys (for models TM and YE, ME), you must disconnect the audio line from the video monitor. Connect the audio line to + 12V (+ power supply). There will be 3 beeps. Wait for the next beep, quickly turn off the audio line from + 12V. It will enter the key recording mode. Bring the key to the contact device, the key will be recorded, and one beep will sound. If the key isn't working or has already been recorded, a sound signal is not output. If there is an overflow, then 2 beeps will sound and exit into standby mode. To exit the key recording mode, it is necessary to short-circuit the audio line to + 12V. When you exit the recording mode, one beep will sound. If the keys are not written after 1 minute, an automatic exit will be made.

To erase all recorded keys, after connecting to the recording mode, you need to connect the audio line to + 12V, wait for 3 beeps and open the audio line and + 12V. The keys will be erased and put into standby mode.

5. MANUFACTURER'S WARRANTY

The manufacturer guarantees the correspondence of the METAKOM MK1-XY (Y) -E-TM (YE, MF) outdoor panel to the requirements of MTKM.460830.001 TU when the user applies the rules of use, storage and transportation.

Guarantee period of operation of the call block is 12 months from the date of sale, but not more than 18 months from the date of manufacture.

Service life is 5 years from the date of manufacture.

Without presentation of a voucher for warranty repair and (or) failure to secure the seals, mechanical, electrical or other types of damage caused by improper transportation, storage or use, claims for quality are not accepted and no warranty repair is performed.

Manufacturer's address:

Russia, 241024, Bryansk city, Delegate street, 68, LTD "Metakom"
tel./fax: (4832) 68-28-26 <http://www.metako.m.ru>
tel. (4832) 68-37-95 E-mail: os@metakom.ru

6. MARKING AND DELIVERY SET

Example of marking the MK1 call block:
MK1-XRV-E1-TM

- where MK1 - model name
 X Y - four-wire interface "Comax"
 V E - lock is controlled by a relay
 1TM - presence of the built in videocamera
 - installation option (E = infeed panel)
 - variant of a complete set (1 or 2) - see tab. below.
 electronic key reader

The outdoor panel has 2 configuration options:

Name of the component	Set option	
	1 (without frame)	2 (with frame)
Outdoor panel	1	1
Frame	-	1
Screw M5x25	2	2
Nut M5	2	2
Passport	1	1
Packing box	1	1

The variant "2" of configuration differs by the presence in the delivery set of a special metal frame, by means of which the calling panel can be mounted as a patch panel.



Valid for filling

TEAR-OFF COUPON N1

FOR THE WARRANTY REPAIR OF THE CALL
 BLOCK METAKOM MK-1
 To be completed by the manufacturer

Serial number of the product _____

Release date _____

(day, month, year)

Representative of the QC of the manufacturer

(QC stamp)

Address for return of the coupon to the manufacturer:
 Russia, 241024, Bryansk city, Delegate street, 68, LTD "Metakom"

To be completed by a trade or installation organization
 Date of sale _____

(day, month, year)

Seller _____

(signature or stamp)

Stamp of the trade organization

Date of commissioning _____

(day, month, year)

Installer _____

(signature or stamp)

Stamp of the organization that conducted the
 installation: