

6. CERTIFICATE OF ACCEPTANCE

Coordinate commutator METAKOM

METAKOM COM-80U(D), METAKOM COM-160U(D),
METAKOM COM-220U(D)

complies with the technical specifications and is considered suitable for operation.

Release date _____

OTK representative _____ seal

The address of the manufacturer:

Russia, 241024, Bryansk, Delegate str., 68, LLC
"Metacom"
tel./fax: (4832) 68-28-26
Tel. (4832) 68-28-25
[http:// www.metakom.ru](http://www.metakom.ru) E-mail: os@metakom.ru



The product is certified

COORDINATE SWITCHES

METAKOM COM-80U(D), METAKOM COM-160U(D),
METAKOM COM-220U(D)

PASSPORT User's manual

1. PURPOSE

Commutator switches METAKOM COM-80U (D), METAKOM COM-160U (D), METAKOM COM-220U (D) are intended for switching of subscriber lines in intercom systems based on outdoor panels METAKOM and are designed for connection up to 80, 160 and 220 subscribers, respectively. The index "D" in the name of the switch means the possibility of connecting two call panels.

2. PRINCIPLE OF OPERATION

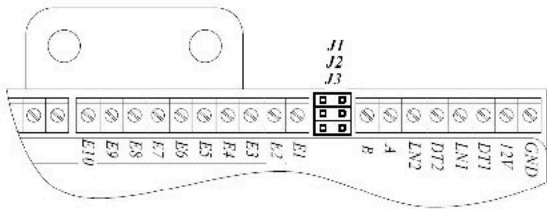
To establish communication with the subscriber, the calling panel on the DTx line (see the block diagram in Fig. 1) transmits the called party number to the switch. The switch, according to the subscriber's number, includes one of the 8 (16 or 22) bus keys "Ten" and one of the 10 keys of the "Units" bus, thereby ensuring the connection to the conversation line of the intercom of the required subscriber's handset.

3. CONNECTING CALL PANELS

The outputs of the call panel are connected to the corresponding inputs of the switch, i.e. + 12V of the calling panel to + 12V of the switch, GND of the panel - GND switch, LINE of the panel - LN1 of the switch, DATA of the panel - DT1 of the switch.

When using the calling panels that allow the expansion of the switches (see the call panel passport) to increase the number of served subscribers, it is necessary to install jumper J1, J2, J3 in accordance with the switch address in the network. The address of the switch is calculated by the formula:

$A = J1 * 1 + J2 * 2 + J3 * 4$, where JN = 1 if the corresponding jumper is closed and JN = 0 if it is open.



If the calling panel doesn't allow the expansion of the switches or only one switch is installed, then jumpers must be opened (remove the jumper).

Switches with index "D" are designed to connect two calling panels (see Figure 2). When the connection is established, the switch selects a conversation line (LN1 or LN2) of the calling panel from which the subscriber number was received.

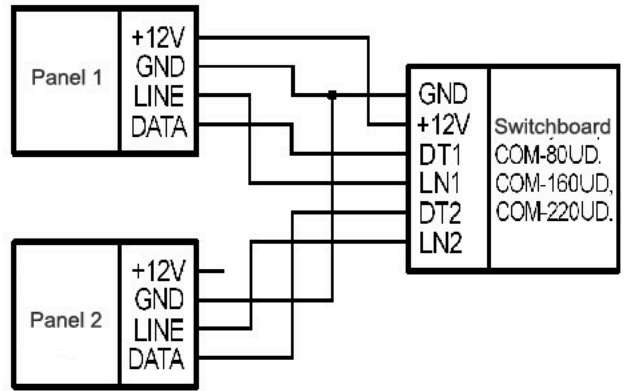


Fig. 2. Connection of two call panels.

4. CONTENTS OF DELIVERY

METACOM switch	1 pcs.
Passport	1 pcs.
Fasteners	1 set
Individual packing	1 pcs.

5. WARRANTY LIABILITIES

The manufacturer guarantees the compliance switch METAKOM with the requirements of MKM.420570.003 TU when the user applies the rules of use, storage and transportation.

Warranty period - 12 months from the date of sale, but not more than 18 months from the date of manufacture.

The service life of the product is 5 years from the date of manufacture.

If there is a violation of the integrity of the seals and / or the presence of mechanical, electrical or other types of damage caused by improper transportation, storage, operation or actions of third parties, no claims for quality are accepted and no warranty repair is performed.

